

LIFTMOORE 206R CRANE

6,500 FT.-LB. MOMENT RATING
2,000 LB. MAXIMUM CAPACITY

The 206R crane is designed for lifting loads onto ½ and ¾ ton trucks. Its power rotation feature and remote pendant control make this an ideal crane for handling heavy objects with a one-man operation. With its 2,000 lbs. maximum capacity lift @ 3-ft and its extended 9-ft boom reach, it makes a tough job safer and easier.

- 360 degree continuous, unlimited 12V D.C. Powered Rotation.
- Standard boom length is 5.5 Ft. with a manual pull out to 9 Ft. with one intermediate position.
- Gas spring assisted manual boom elevation from 0 degrees to +75 degrees is standard on this model.



Boom Manually Extends from 5.Ft. to 9 Ft.

3/16' GAC

Traveling Block w/hook & Safety Latch. Meets ANSI Standard

Manual Elevation with Gas Spring Assist

12V DC Planetary Gear Winch

Model 206R Shown

Remote Pendant Control

Electric Powered Rotation

LOAD CAPACITY - LBS. 6,500 FT-LBS

BOOM LENGTH - FT.

	0°	15°	30°	45°	60°	75°
5'6"	1182	1224	1365	1671	2000	2000
7'3"	897	928	1035	1268	1793	2000
9'0"	722	748	834	1021	1444	2000



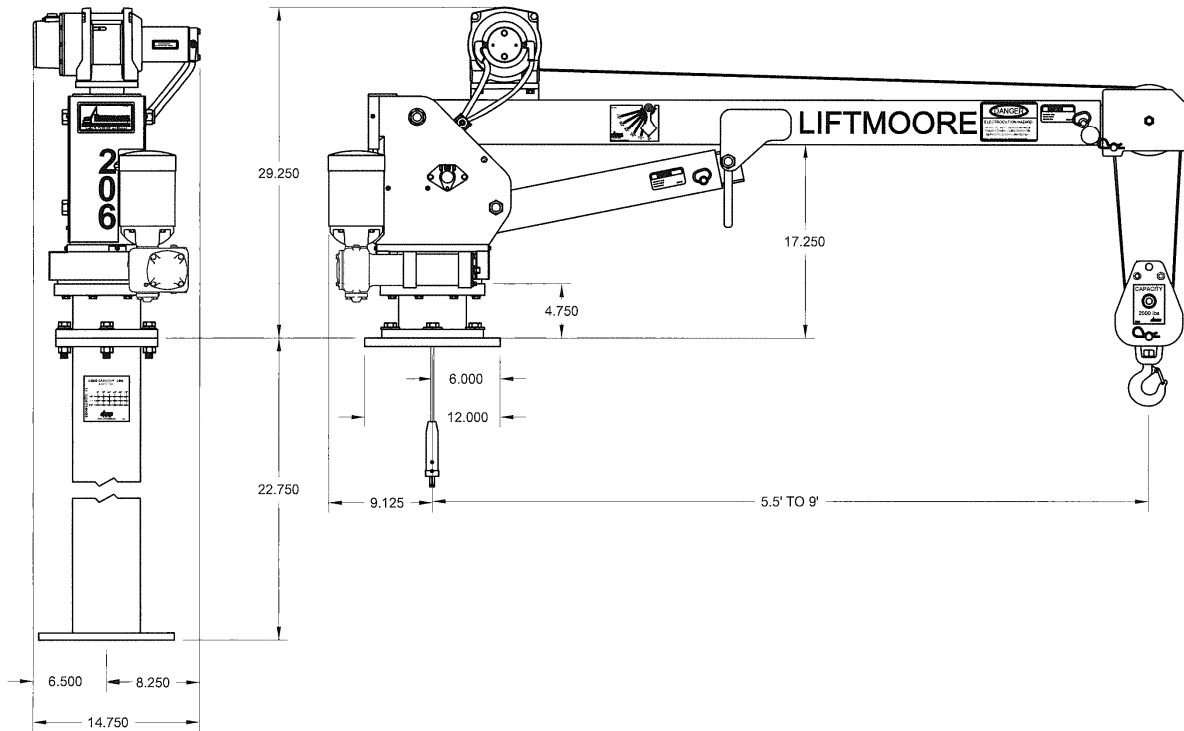
713-688-5533
WWW.LIFTMOORE.COM

22373



HOUSTON, TEXAS
FAX: (800) 824-5559 (USA & Canada)
FAX: (713) 688-6324
PHONE: (713) 688-5533
www.liftmoore.com

206R SPECIFICATIONS



HOIST WINCH:

The Hoist winch uses a planetary gear drive for most efficient operation. The winch is powered by a permanent magnet electric motor. The single line capacity of the winch is 1200 lbs. An integral mechanical brake is included with the winch.

Winch performance is as follows.

Load (lbs)	Hook speed (Ft./ Min.)	Amp Draw
0	25	22
600	21	63
900	19	84

* Use travels block double line, for loads above 1000 Lbs.

WIRE ROPE and SHEAVES:

The crane is supplied with 35 Ft. of 3/16 in. galvanized aircraft cable with a 4200 Lb. breaking strength. All sheaves meet ANSI requirements. A travel block is included for two-part line.

ROTATION:

The crane is standard with 360 degrees of continuous and unlimited 12VDC-power rotation. The crane rotates on an external gear bearing slewing ring.

BOOM: The standard boom length in the horizontal position is 5.5 Ft. with a manually telescoping section to 9.0 Ft. An Intermediate boom position is included.

Gas Spring assisted manual boom elevation from 0 degrees to +75 degrees. A telescoping tube assembly with 5 predetermined settings holds the boom in place.

PENDANT CONTROL:

A 12-Ft. control is supplied with each crane. Each function is controlled by a weather resistant momentary contact toggle switch. The pendant control is removable to prevent unauthorized use of the crane.

ELECTRICAL:

The vehicle 12-volt DC system powers the crane. A second battery near the crane is advised. This will maintain the voltage at the highest possible level and extend the life of the cranes motors and solenoids.

A double pole electric contactor reverses the winch motor. 25 Ft. of battery cable with quick disconnects: a 3-Ft. ground wire and a 150Amp. Circuit breaker is supplied with each crane.

PEDESTAL:

A standard pedestal height of 27 In. from base of mounting plate to point of rotation is standard. This can be shortened to 5.5 in. to accommodate mounting on service body compartment top. (Special heights can be produced upon request)

MOUNTING: A minimum 8,600 Lb. GVWR recommended.

Four ½ in. X 2-3/4 In. long grade 8 bolts are supplied. The base plate is a 12-In. square with a 9.5-In square bolt pattern.

ACCESSORIES:

A jackstand or outrigger is necessary on most installations to keep the truck as level as possible and reduce the load on the rotation bearings as well as the trucks springs, axels, wheels and tires.



HOUSTON, TEXAS
 FAX: (800) 824-5559 (USA & Canada)
 FAX: (713) 688-6324
 PHONE: (713) 688-5533
 www.liftmoore.com

Bulletin 460-A 12/30/13